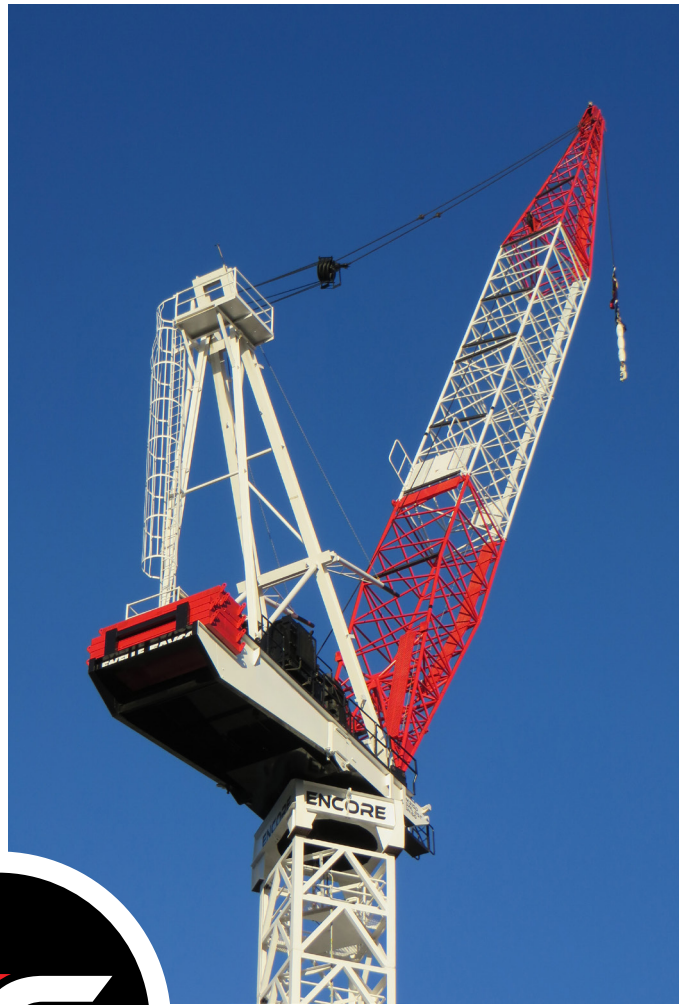




**ENCORE CRANES**



**Favco M310D**





**ENCORE  
CRANES**

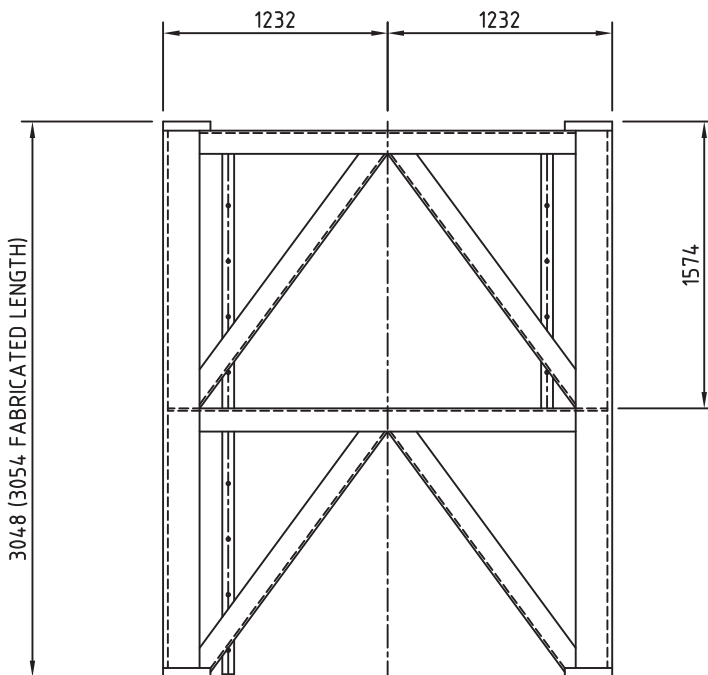
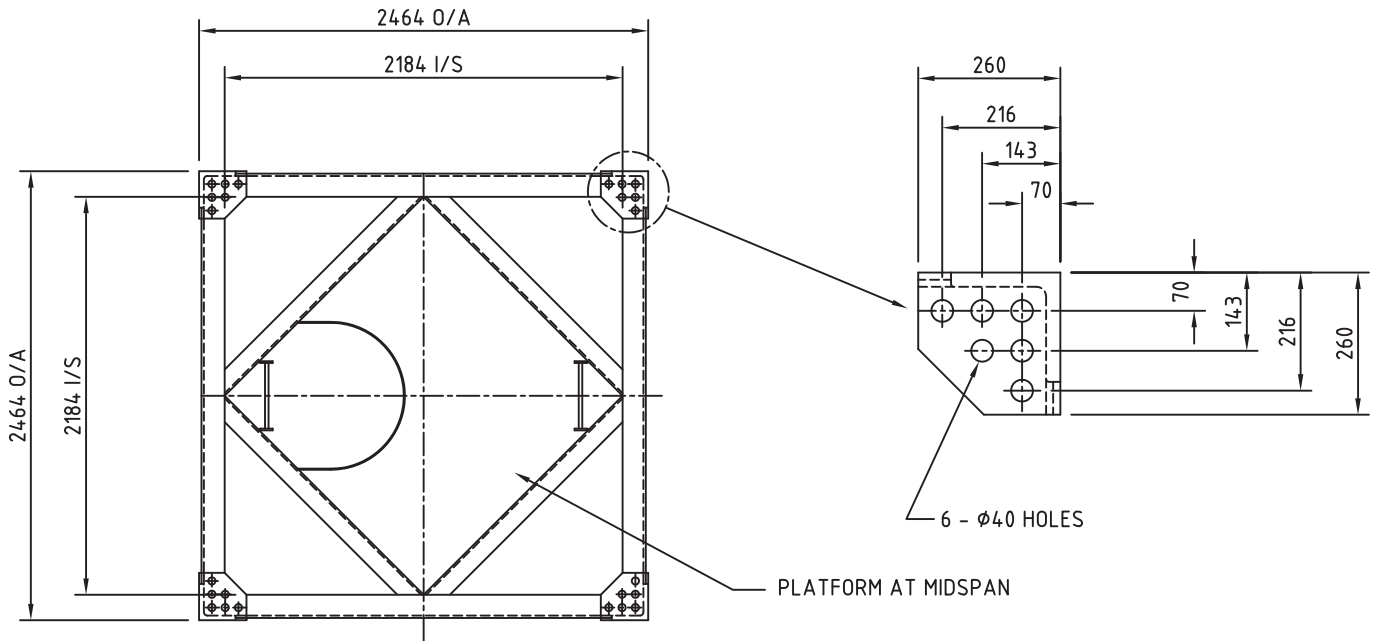


**M310D HIGH SPEED 16T - 1/2 FALLS SPECIFICATIONS**

<b>RADIUS</b>	<b>33.2</b>	<b>36.6</b>	<b>42.4</b>	<b>45.8</b>	<b>51.6</b>	<b>55.0</b>	<b>60.8</b>	<b>RADIUS</b>
<b>3.8</b>	25000							<b>3.8</b>
<b>4.0</b>	25000	25000						<b>4.0</b>
<b>4.4</b>	25000	25000	22000					<b>4.4</b>
<b>4.7</b>	25000	25000	22000	20000				<b>4.7</b>
<b>5.1</b>	25000	25000	22000	20000	17500			<b>5.1</b>
<b>5.3</b>	25000	25000	22000	20000	17500	16000		<b>5.3</b>
<b>5.7</b>	25000	25000	22000	20000	17500	16000	16000	<b>5.7</b>
<b>9.0</b>	25000	25000	22000	20000	17500	16000	14200	<b>9.0</b>
<b>10.0</b>	25000	25000	22000	20000	17500	16000	14200	<b>10.0</b>
<b>12.0</b>	25000	25000	22000	20000	17500	16000	13000	<b>12.0</b>
<b>13.0</b>	24000	25000	22000	20000	17500	16000	12500	<b>13.0</b>
<b>13.5</b>		25000		20000	17500	16000	12500	<b>13.5</b>
<b>14.0</b>		25000	21000	19500	17500	15500	12500	<b>14.0</b>
<b>15.0</b>	20500	23800	20300	19000	17500	14500	12500	<b>15.0</b>
<b>17.4</b>					16000	13500		<b>17.4</b>
<b>20.0</b>	17000	18400	16400	16000	14500	13000	11000	<b>20.0</b>
<b>25.0</b>	13200	14500	13300	13000	11000	11000	9500	<b>25.0</b>
<b>30.0</b>	10300	11300	11000	11000	10000	9500	8200	<b>30.0</b>
<b>33.5</b>	8500							<b>33.5</b>
<b>35.0</b>		8800	9000	9000	8500	8000	7000	<b>35.0</b>
<b>40.0</b>			7000	7500	7000	7000	6000	<b>40.0</b>
<b>42.5</b>			6000					<b>42.5</b>
<b>46.0</b>				5700		5500	4800	<b>46.0</b>
<b>50.0</b>					5000	4700	4000	<b>50.0</b>
<b>51.5</b>					4500			<b>51.5</b>
<b>55.0</b>						3700	3200	<b>55.0</b>
<b>60.5</b>							2400	<b>60.5</b>

<b>FREESTAND OPTIONS</b>	<b>HEIGHT AT BOTTOM OF REAR DECK</b>
12 x 1000 Tower Sections (No Climbing Frame)	37.2 Metres
3 x 1100 & 11 x 1000 Tower Sections (No Climbing Frame)	43.4 Metres
10 x 1000 Tower Sections (With Climbing Frame)	31 Metres
3 x 1000 & 10 x 1000 Tower Sections (With Climbing Frame)	40.3 Metres

**\*NOTE: Tail radius from tower centre is 7982mm**



**Chord information: (200 x 200 x 26 EA)**

Chord area = 9780 mm<sup>2</sup>  
 Minimum radius of gyration of chord = 39.7 mm  
 Bolt capacity per leg = 135 tonnes.  
 Allowable compressive stress = 193 MPa  
 Fy = 340 MPa (for chord and pads)

**Tower information.**

Wind area of tower = 8.92 m<sup>2</sup>  
 Chord centres = 2344 mm  
 Diagonal chord centres = 3315 mm  
 Minimum moment of inertia of tower = 5.37x 10<sup>10</sup>

Bracing is 250 grade material.

TOWER WEIGHT = 2.4 TONNES (APPROX)